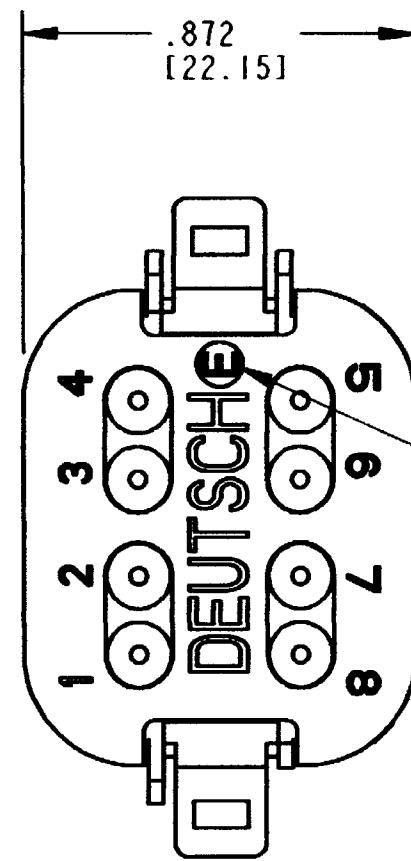
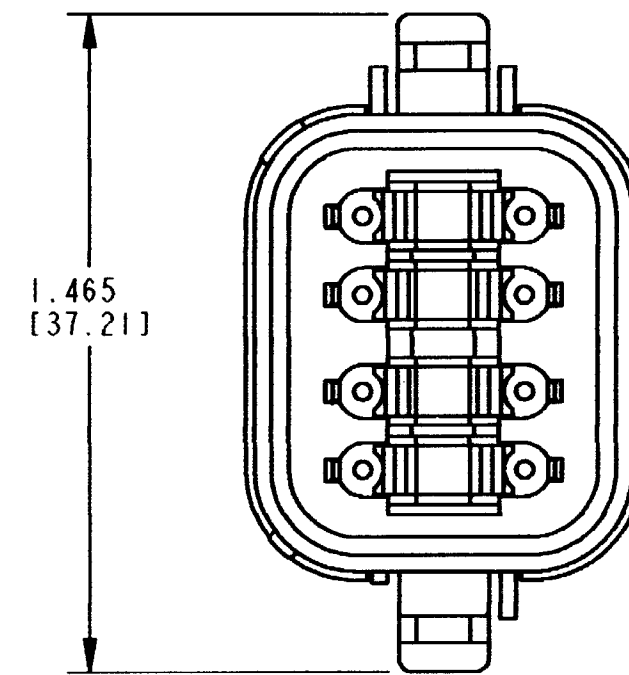
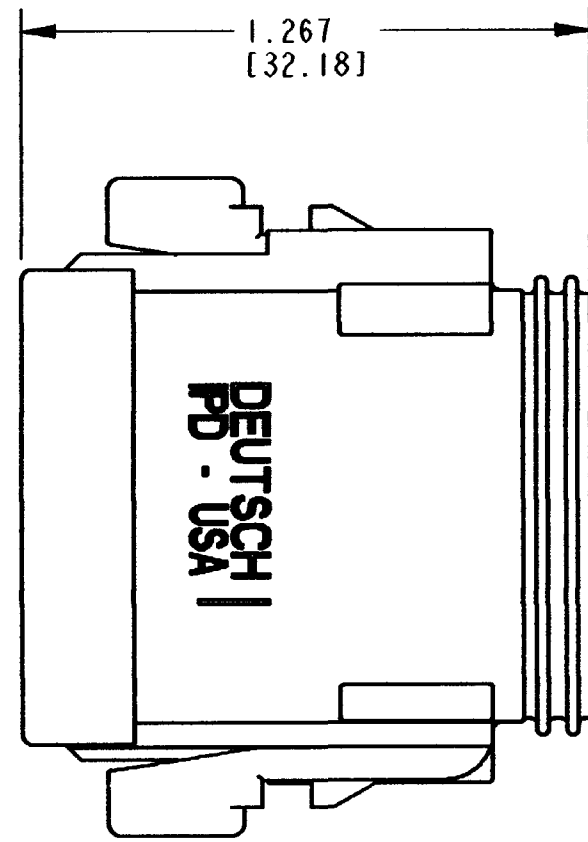


REV
A DT06-08S*-CE01

REVISIONS			
SYM	DESCRIPTION	DATE	APPROVED
NC	REDRAWN / REPLACES PREVIOUS		
	RELEASE PER E.O. P19053	10/14/05	R.D.R.
A	REVISED PER E.O. P19550	6-12-07	RDR



-E- DESIGNATES REDUCED WIRE DIAMETER.



5. MATERIAL: SHELL: PLASTIC; SEAL: RUBBER
4. THIS PLUG MATES WITH THE DT04-08P*-**** RECEPTACLE (* = A,B,C,D KEYS; **** = ALL MODIFICATIONS). CONSULT FACTORY FOR MODIFICATIONS.
3. FOR CONTACTS AND WIRE PERFORMANCE AND APPLICATION CHARACTERISTICS SEE ENVELOPE DRAWING 0425-015-0000 AND 0425-017-0000.
2. DIMENSIONS ARE $\pm .025$ [0.63] UNLESS OTHERWISE SPECIFIED.
1. ALL DIMENSIONS ARE IN INCHES [MILLIMETERS].
- NOTES:

CONTACT SIZE	MIN. INSUL O.D.	MAX. INSUL O.D.	WIRE RANGE ³ [mm ²] REF. ONLY
16	.053 [1.35]	.120 [3.05]	14-20 AWG [2.0-0.5]

SIGNATURE & DATE	
DR	A. MALAGON 20SEP05
CHK	B. B. 6/7/07
PE	R. Maloney 5/11/07
APPD	S. Beard 6-1-07
SCALE	NONE
WT	

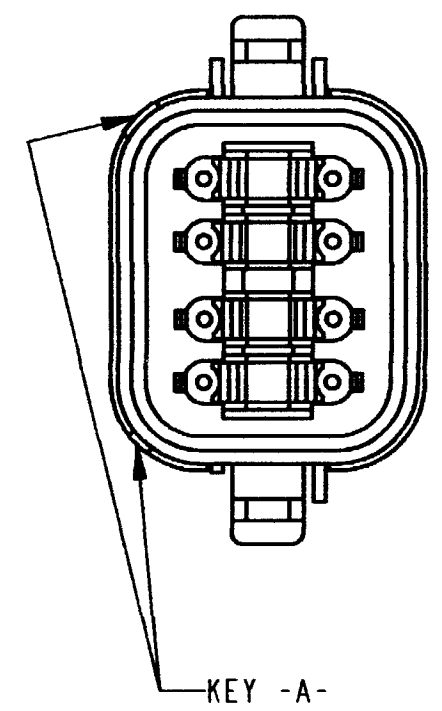
8 WAY PLUG
W/ WELD CAP,
REDUCED WIRE SEALS,
-CE01 MOD.
DT SERIES

ENVELOPE

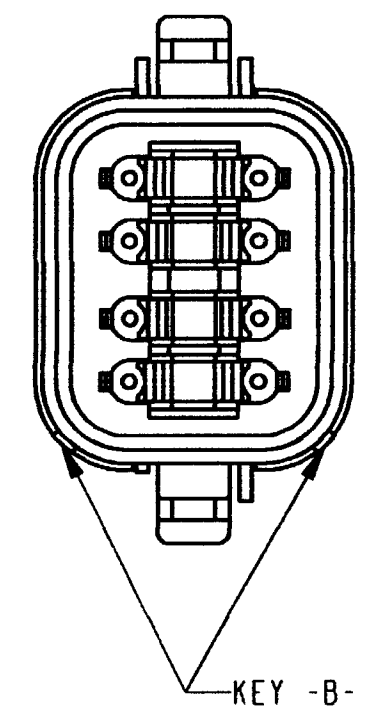
MATERIAL CODE	
EP	
The Deutsch Company DEUTSCH I.P.D. 3850 INDUSTRIAL AVE. HEMET, CALIF. 92545	
B	DT06-08S*-CE01
DWG SIZE	CODE 11139 SHEET 1 OF 2

REV	DT06-08S*-CE01	REVISIONS			
A		SYM	DESCRIPTION	DATE	APPROVED
		A	SEE SHEET #1	6-26-07	RDR

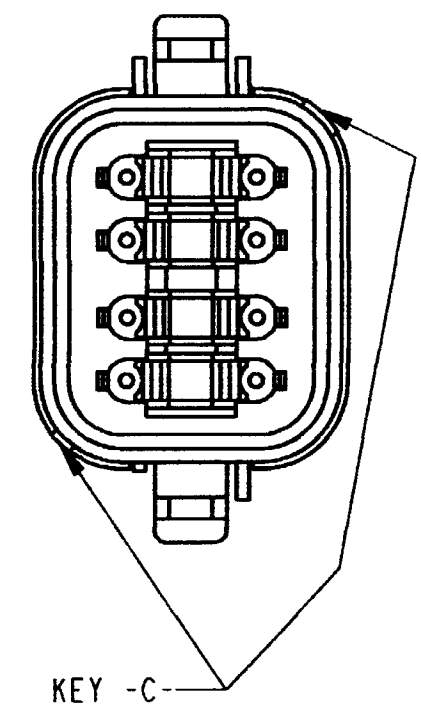
PART NO.
DT06-08SA-CE01
KEY ARRANGMENT -A-
COLOR: GRAY



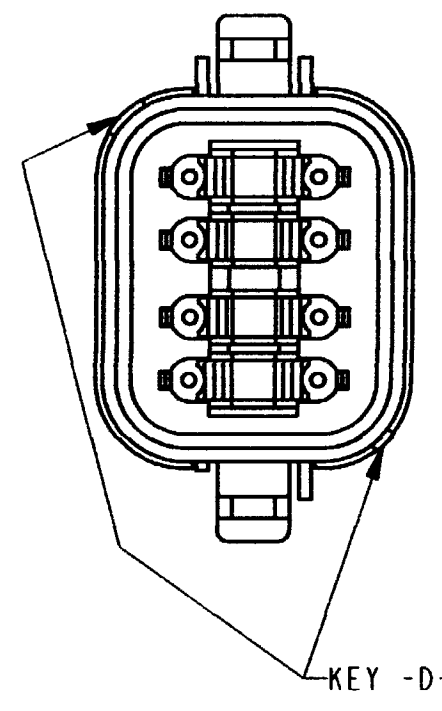
PART NO.
DT06-08SB-CE01
KEY ARRANGMENT -B-
COLOR: BLACK



PART NO.
DT06-08SC-CE01
KEY ARRANGMENT -C-
COLOR: GREEN



PART NO.
DT06-08SD-CE01
KEY ARRANGMENT -D-
COLOR: BROWN



NOTES:

SIGNATURE & DATE		8 WAY PLUG, W/ WELD CAP, REDUCED WIRE SEALS, -CE01 MOD. DT SERIES	EP	MATL. CODE
DR	A. MALAGON 20SEP05		The Deutch Company	
CHK	<i>B. Byford</i> 6/7/07		DEUTSCH I.P.D. 3850 INDUSTRIAL AVE. HEMET, CALIF. 92545	
PE	<i>K. Mason</i> 5/31/07		DT06-08S*-CE01	
APPD	<i>S. Smith</i> 6-1-07	ENVELOPE	DWG SIZE	CODE 11139
SCALE	NONE	WT	SHEET 2 OF 2	